



**JL OBARA**

# PRODUCTS CATALOGUE

Leading the World in Resistance Welding Technology and Solutions

**JL OBARA**

**Head office**

97-23, BARANGONGDAN-RO 4-GIL,  
HYANGNAM-EUP,HWASEONG-SI,  
GYEONGGI-DO, KOREA  
TEL : (+82)31-350-7000  
FAX : (+82)31-350-7099

**ULSAN OFFICE**

2F,7-7, GULHWA 1-GIL, BEOMSEO-EUP,  
ULJU-GUN, ULSAN, KOREA  
TEL : (+82)52-289-2601~2  
FAX : (+82)52-289-2064

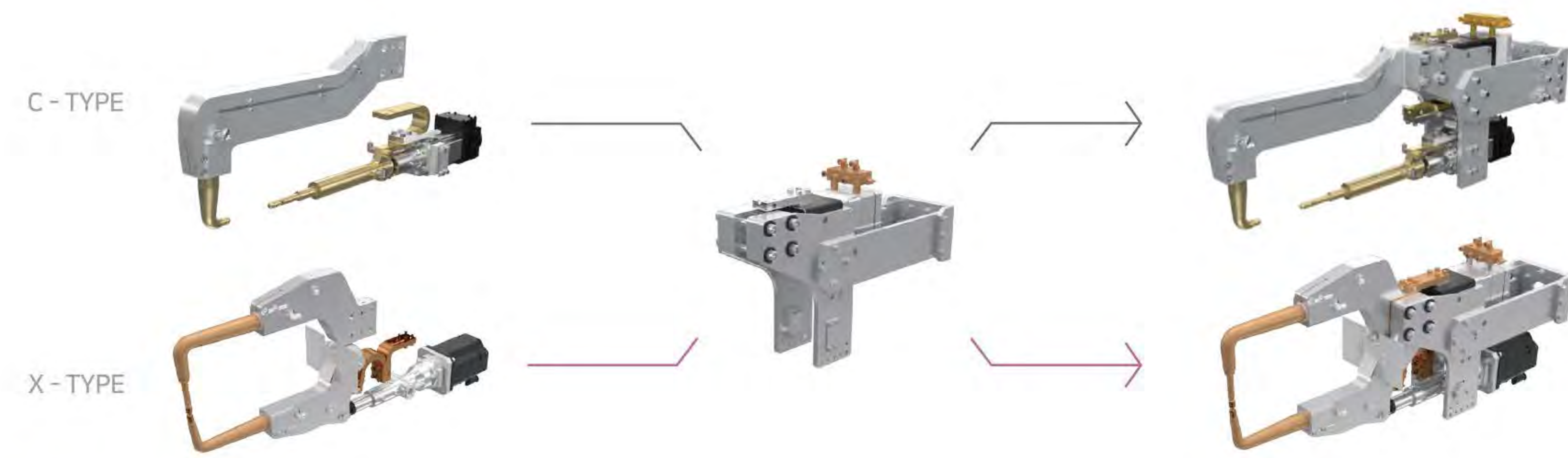
**HONAM OFFICE**

204-102, 16, MAEWOL 2-RO 15BEON-GIL,  
SEO-GU, GWANGJU, KOREA  
TEL : (+82)62-610-5855  
FAX : (+82)62-610-5856

**YEONGNAM OFFICE**

76, JUNAM-RO, YANGSAN-SI,  
GYEONGSANGNAM-DO, KOREA  
TEL : (+82)70-4279-8861~4  
FAX : (+82)55-362-2471





**X2C Gun**

Standard body for all gun types (both C & X). (C-type and X-type guns to be interchangeable with conversion kits)

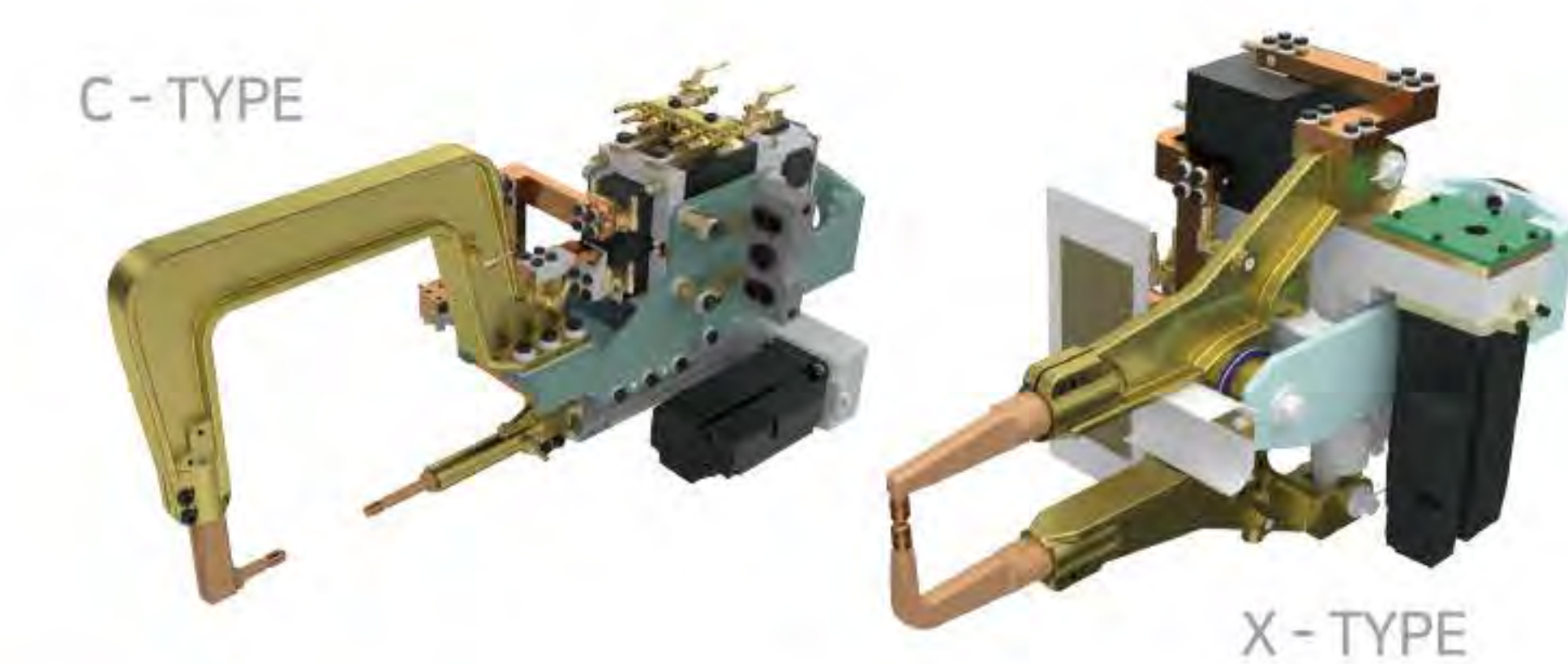


**강건화 직동 Servo Gun**

Welding gun for applied duralumin(aluminum alloy) material arm. (Light weight, minimize non-symnectic)

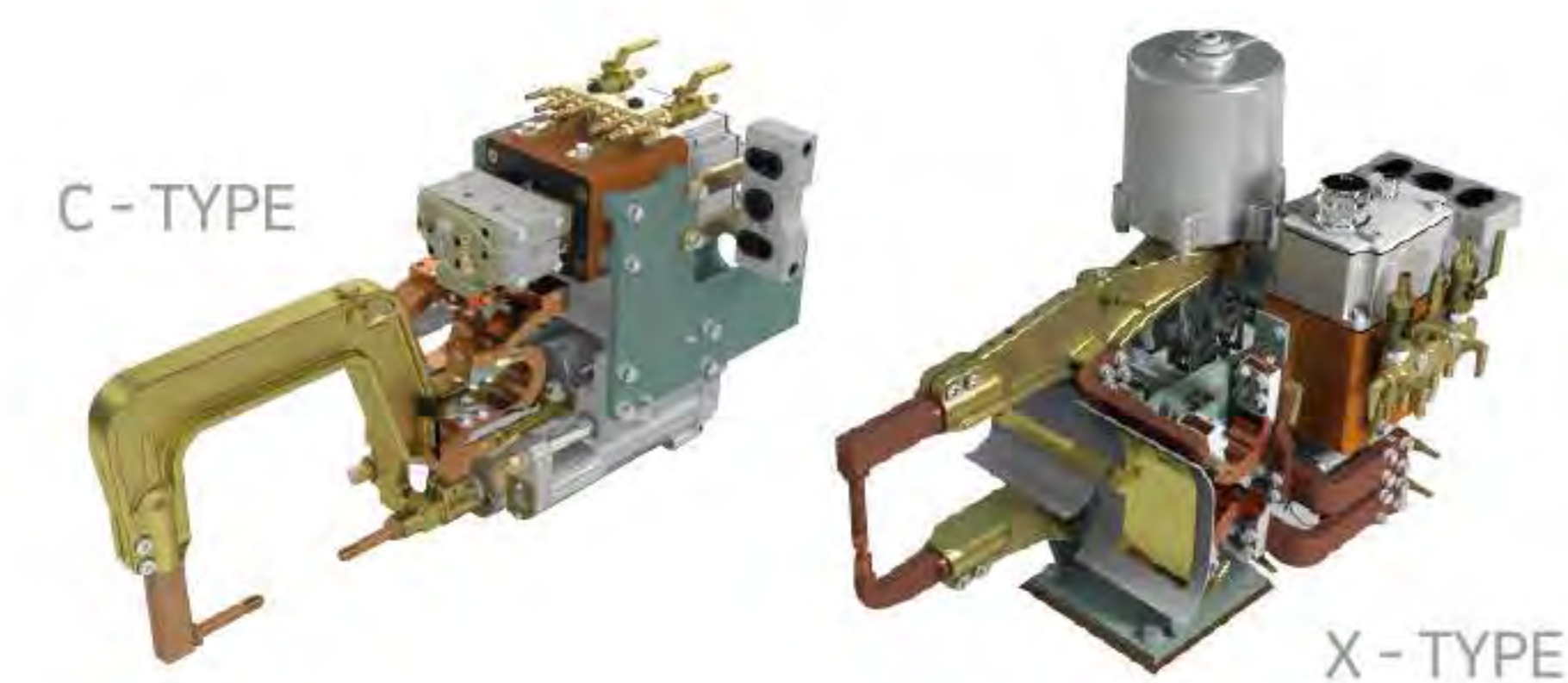
**강건화 Servo Gun**

Welding gun for applied duralumin(aluminum alloy) material arm. (Light weight, minimize deflexion)



**Servo Gun**

Robot servo gun with servo motor. (Controllable for stroke, weld force and speed)



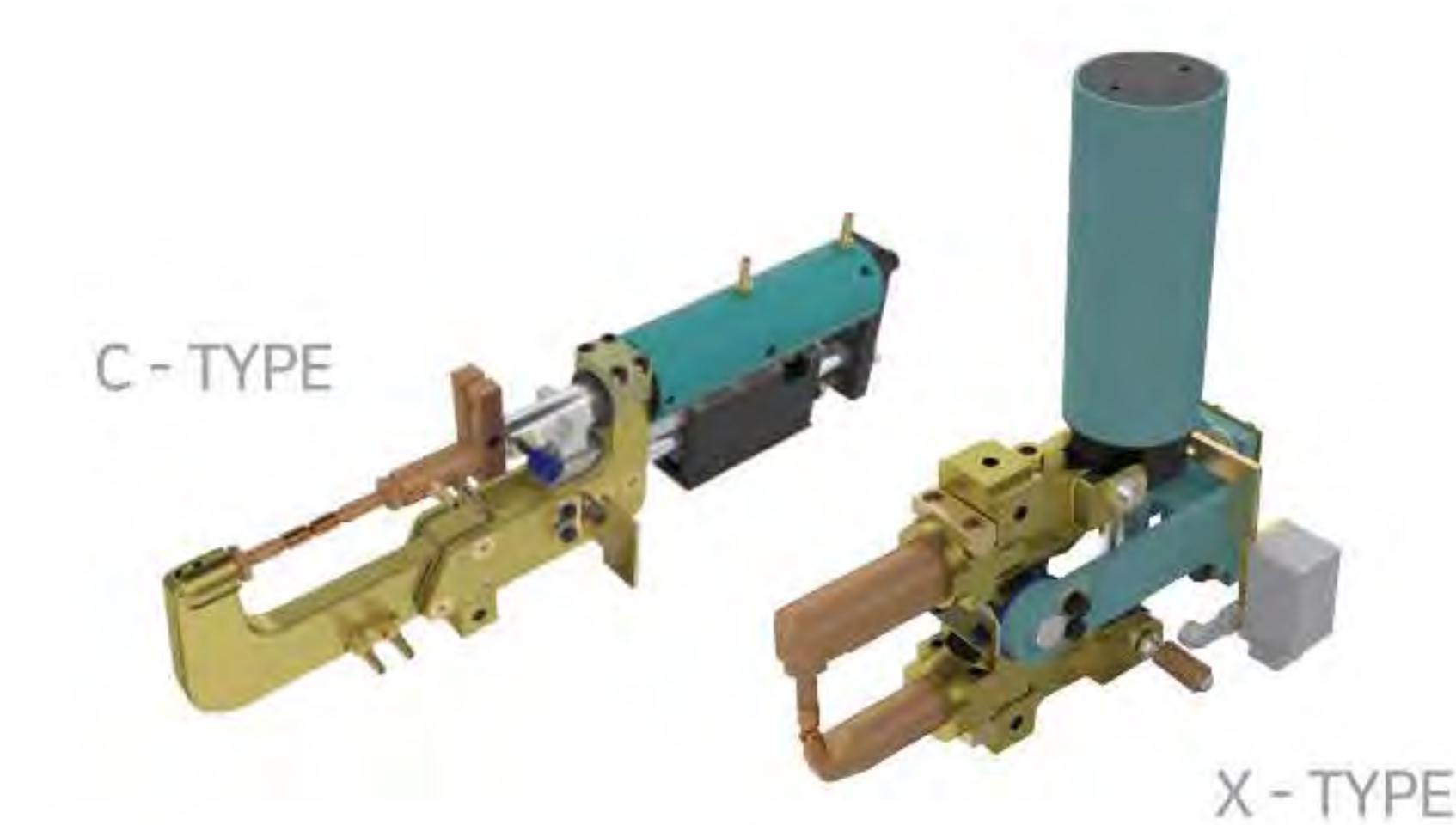
**Air Robot Gun**

Robot gun with pneumatic cylinder. (Double stroke and EQ spring)



**Portable Gun**

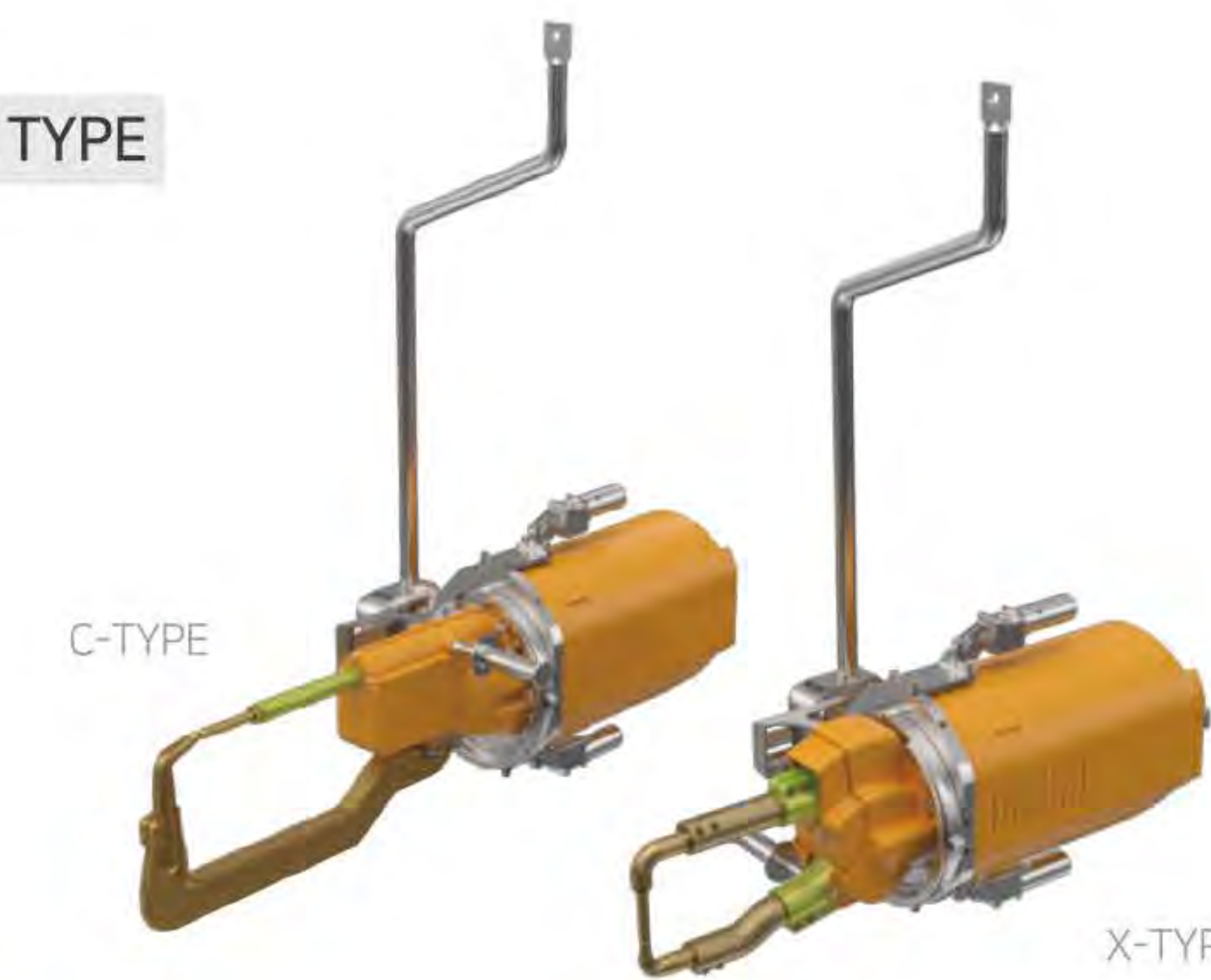
Outer transformer type manual weld gun.



**Equalizing Gun (Auto Gun)**

Fixture gun.

**AC TYPE**



**IT Gun**

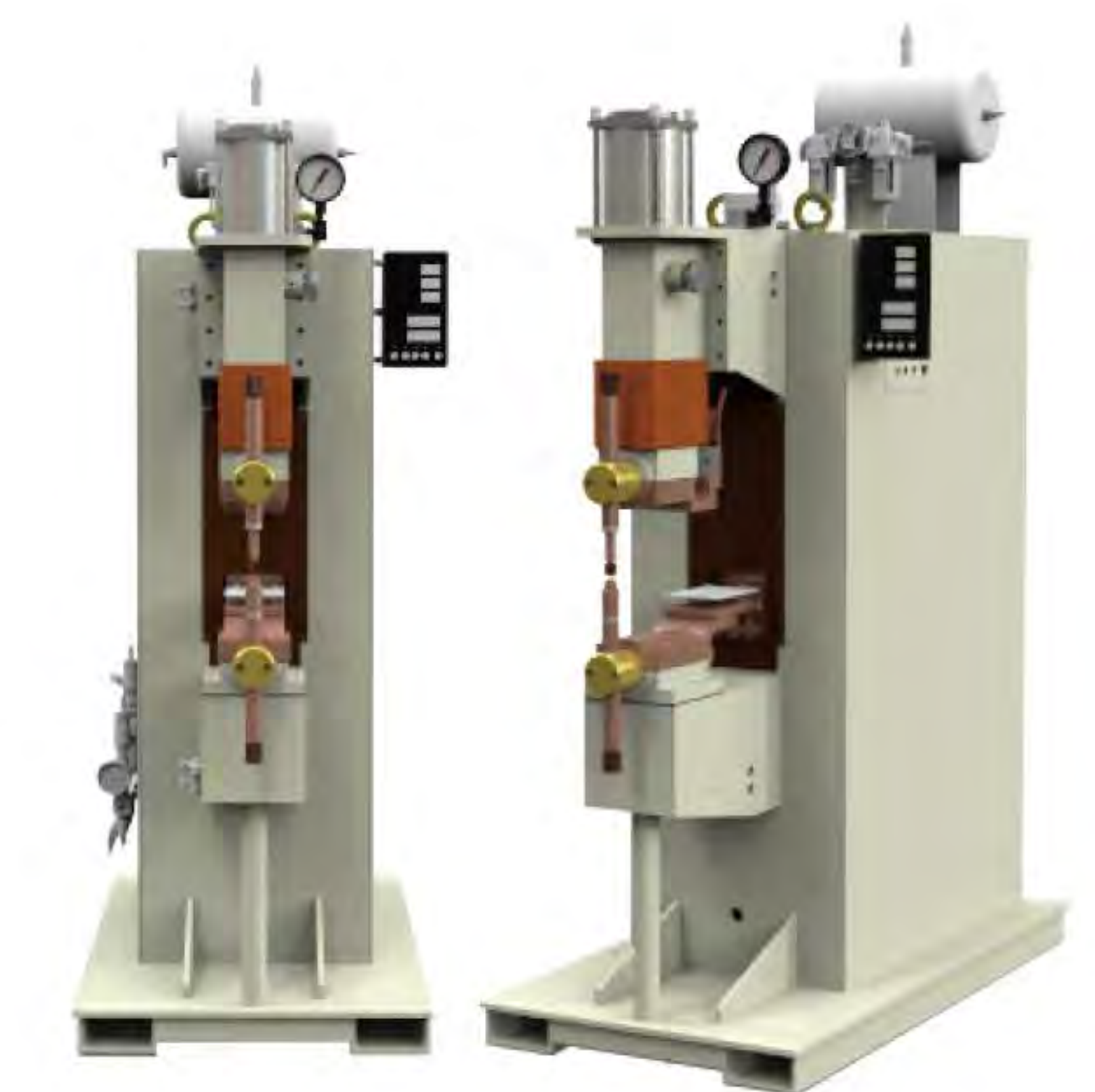
Integrated transformer type manual weld gun.

**DC TYPE**



**High Stationary Spot Welder**

High capacity and high Force available.



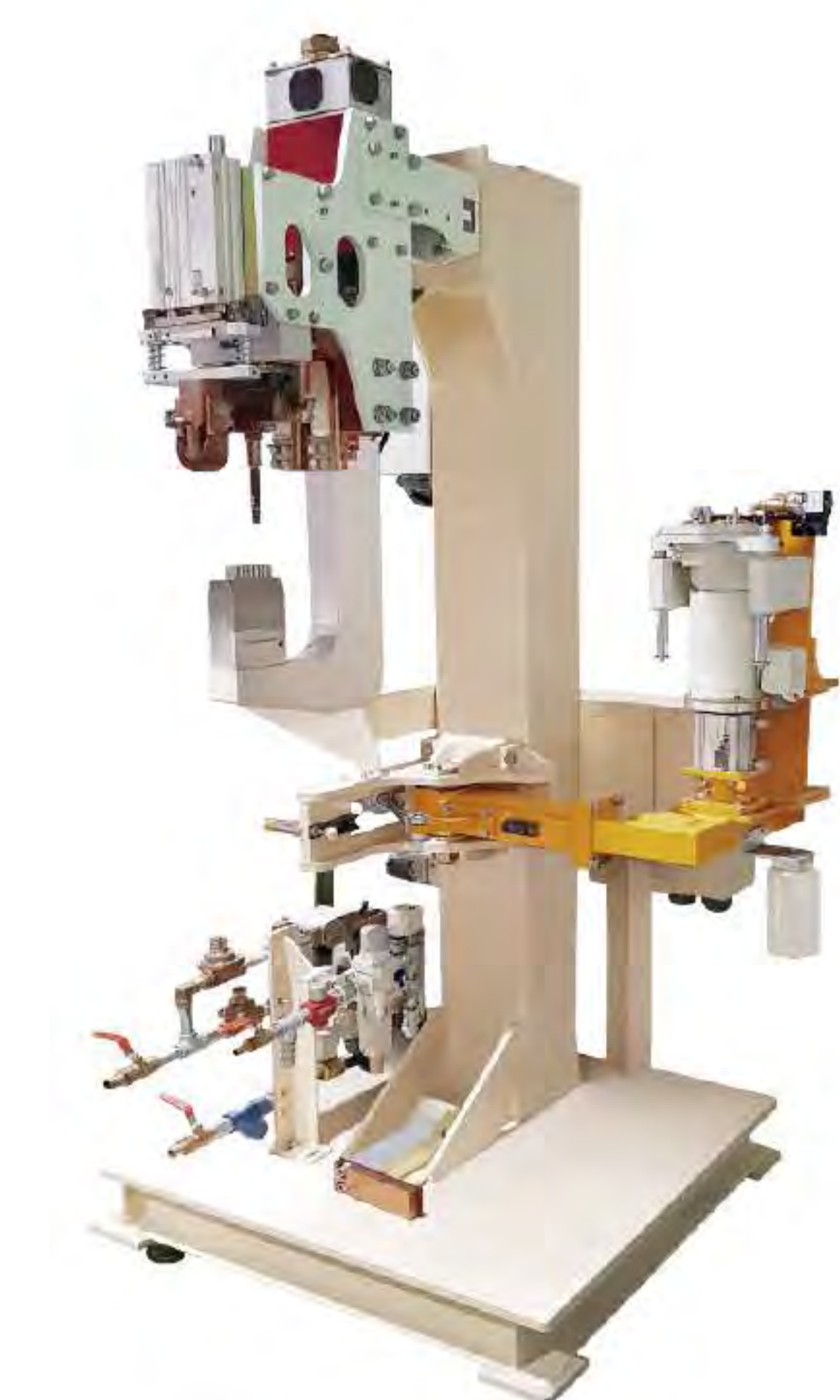
**Stationary Spot Welder**

Stationary welding with compact. (built-in T/C) & Simple design.



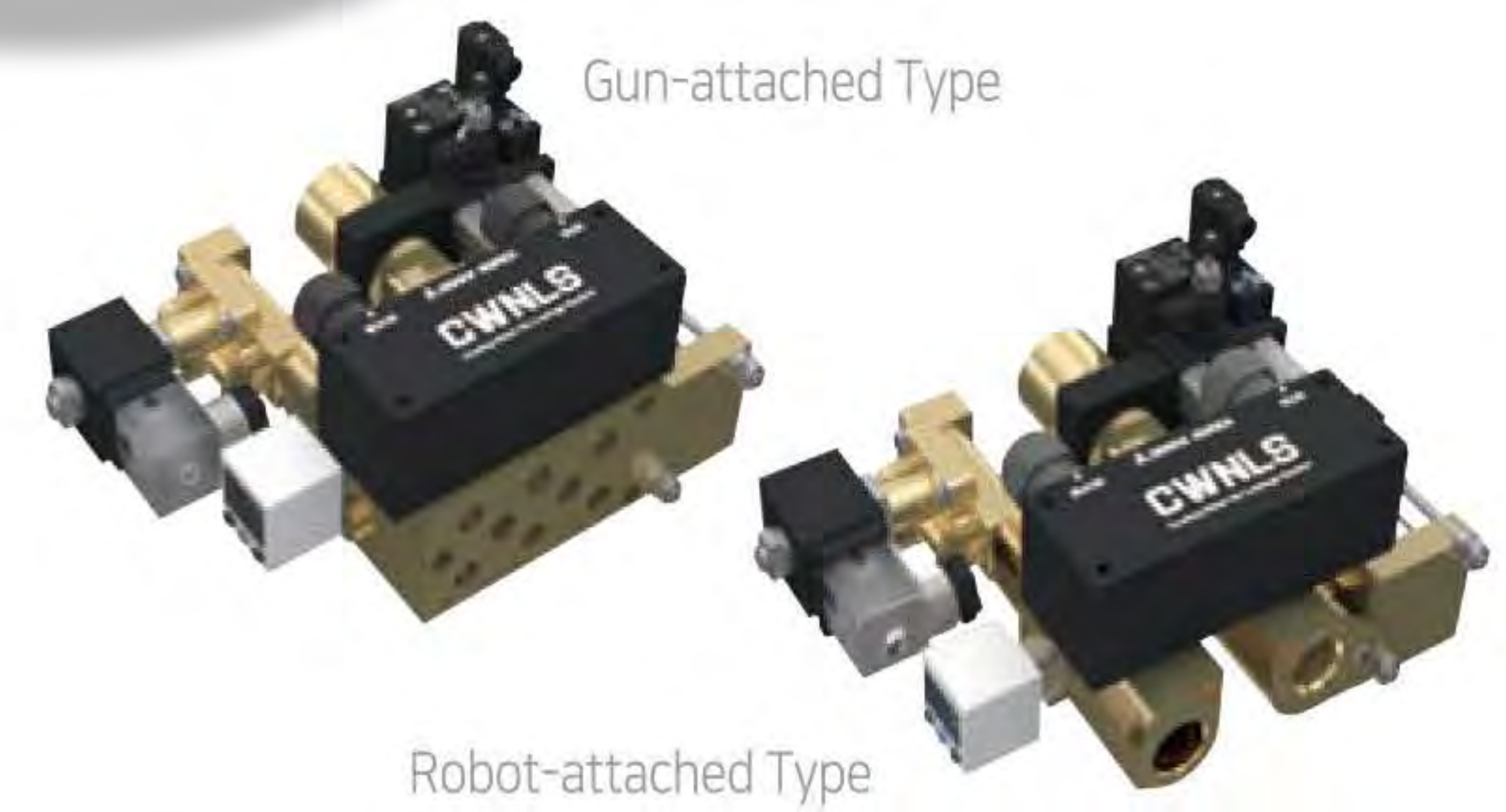
**Twin Shift Welding Gun**

You can freely set the pitch amount of electrodes through SERVO MOTOR.



**Single Side Welding Gun**

- Outer PNL pre-welding and fixed position.
- No welding spot nugget on outer PNL.



### Cooling Water No-Leakage System(CWNLS)

Cooling Water No-leakage System.  
(Assembled on Gun Bracket or Robot Arm)

## OBARA PRODUCTION PROCESS

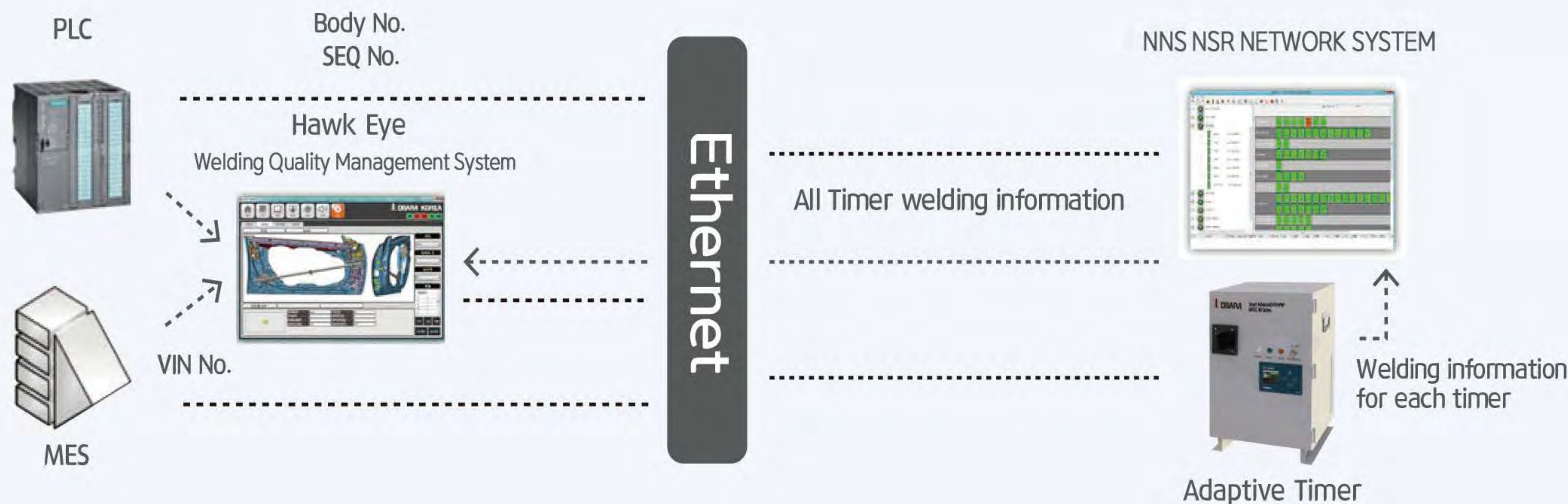


### Auto Tool Changer(ATC)

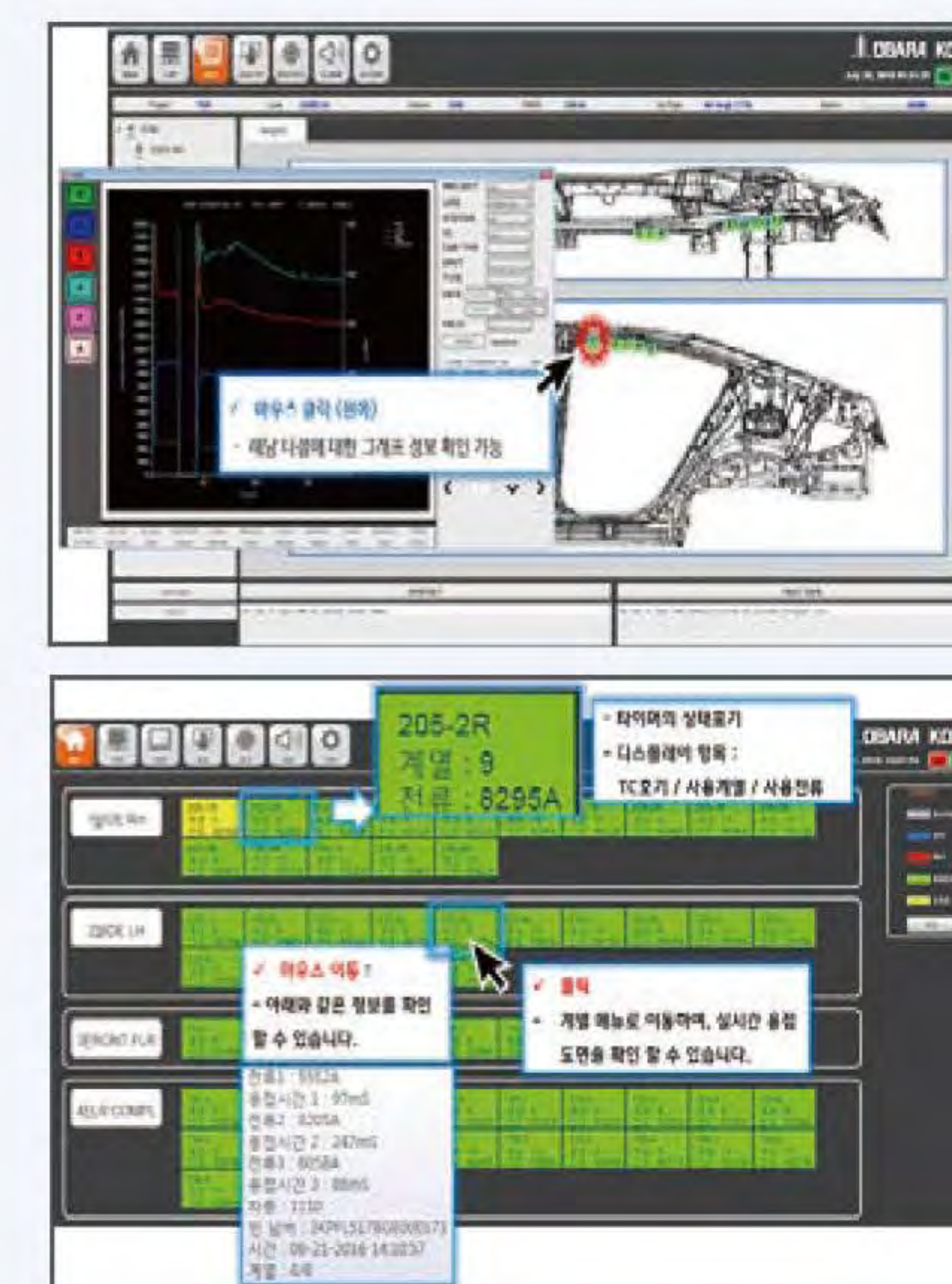
Device for multiple use tools and gripper automatic changing by one-touch system.



## HAWK EYE



## HAWK EYE SCREEN



### Real time processes management

Management by each production unit, car segment and liner controller  
Management to welding spot by drawing  
Easily to check a position about process present condition and spot position

### Missing weld spot monitoring

Management to missing counter by process and product  
Management to total welding counter connect by line PLC  
Real-time notification about missing spot  
Fast tracking of missing spot

### Real time welding quality Monitoring

Real-time monitoring by TC Welding  
Real-time quality monitoring  
Real-time notification and information about welding fault  
Check the status of the real-time bad welding position

### Welding log management

Welding data / curve data is searched by schedule  
Check to welding fault and collect to data  
Checked the weld curve by the schedule of welding set up  
Quality is improved by real-time history manage



**Adaptive Timer**

Adaptive control.



**DC Timer (Inverter)**

400~2000Hz Inverter Constant current control.



**AC Timer**

Alternating current control.



**Auto Tip Dressing Changer(ATDC)**

Integrated Auto tip dresser and Auto tip changer.



**Auto Tip Changer(ATC-21)**

"Pick" Type (No rotation) ATC (Non-power)



**Trantim**

AC timer and transformer integral.



**IT Controller**

AC, Inverter and Adaptive timer available to be controlling IT gun.



**DPN-NEO**  
Monitoring only.  
(for STN & SIV timer)



**TPN-NET**  
Editing for timer data and parameter.  
(for STN & SIV Timer)



**DPN-SPOT**  
Prevent spot missing & Monitoring.  
(for SSW)



**ATD-LS**  
RPM 350 - 440

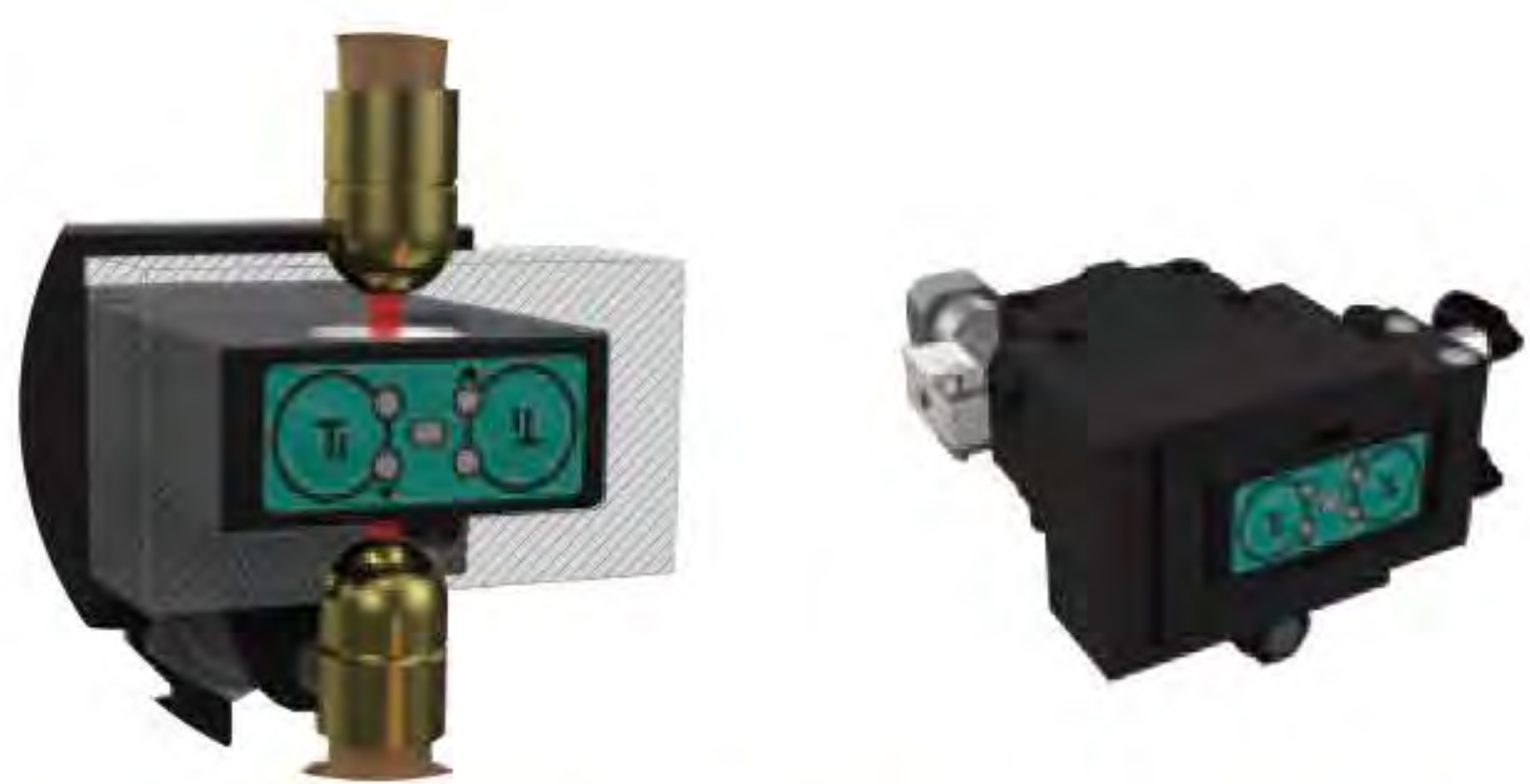


**ATD-HS**  
RPM 360 - 450



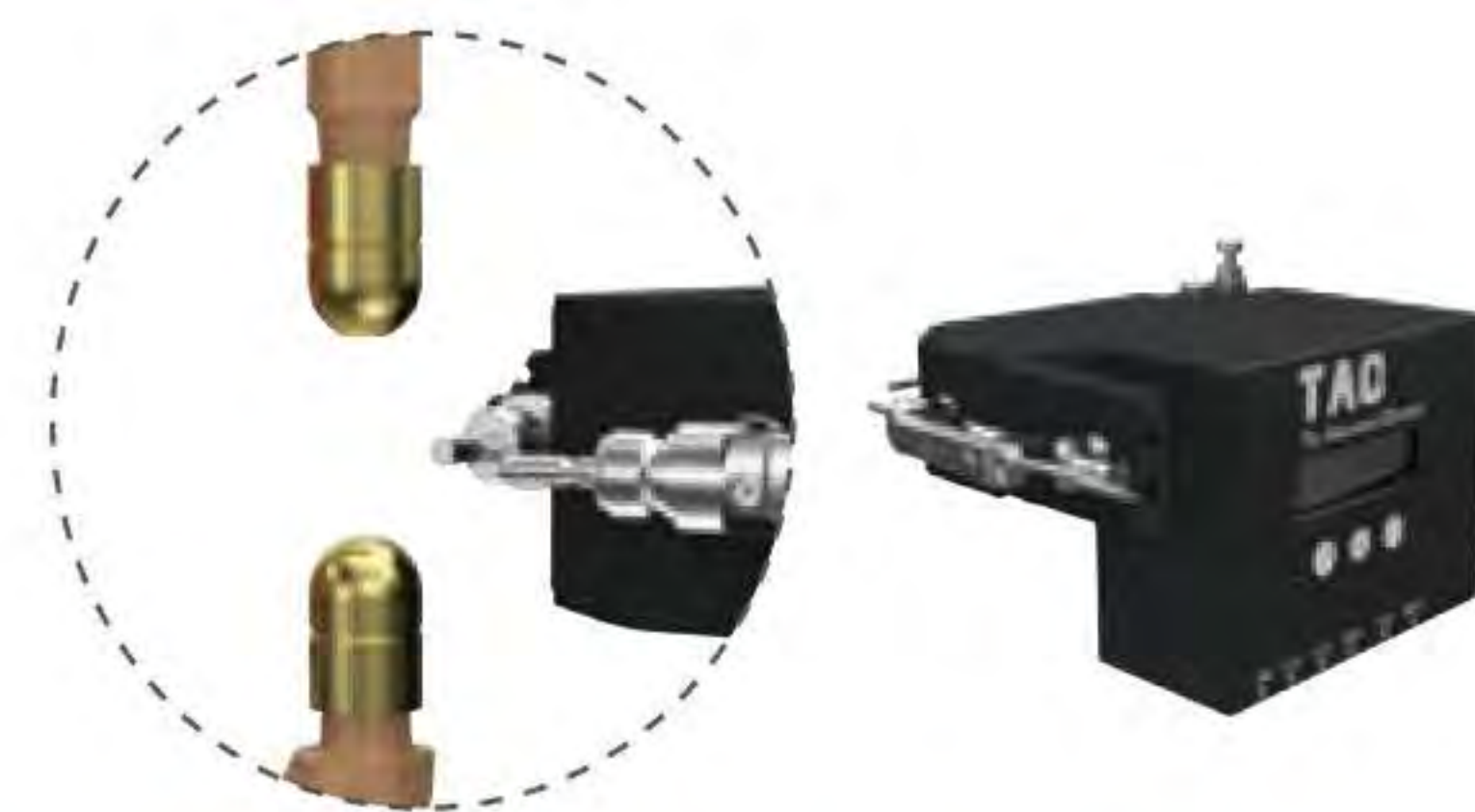
**ATD-NS**  
RPM 150 - 175

ATD OPTION



**New Welding Tip Sensor(NWTS)**

Easy for maintaining, new tip checker with one touch setting illumination sensor.



**Tip Alignment Checker(TAC)**

Welding quality improving equipment with checking status of tip alignment.



**Chip Collector**

Collecting chips during dressing.



**Tip Dressing Checker(TDC)**

Sensing device for dressing quality after cap tip dressed. (with Air pressure value)



**Color Sensor**

Sensing device for dressing quality after cap tip dressed. (with tip surface color)



**Tip Sensing System-3(TSS-3)**

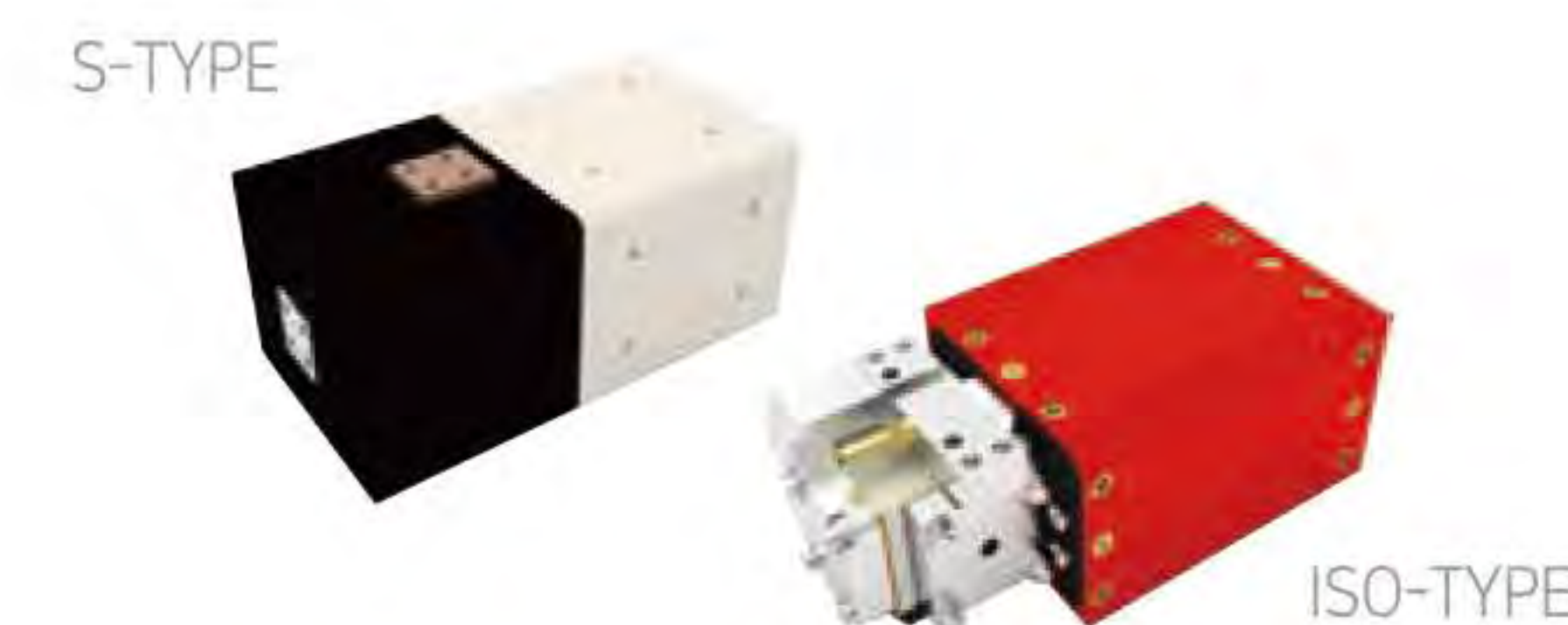
Sensing device for dressing quality after cap tip dressed. (with illumination value reflection from tip angle)



**Tip Dressing Edition(TDE)**

The equipment for decision of pass or fail to check the color of dressing plane with high definition camera.

TRANSFORMERS



**Inverter Robot**

**AC Robot**



**AC Portable**

ELECTRODE



**Cap Tip**

DHOM / CRUC / OZIC  $\phi 13$   $\phi 16$



**Adapter**

$\phi 13$   $\phi 16$



**Shank**

$\phi 13$   $\phi 16$



**Cable**

Kickless cable, Sub cable, Jumper Cable



**Shunt**



**Holder**

AR / AB / CB